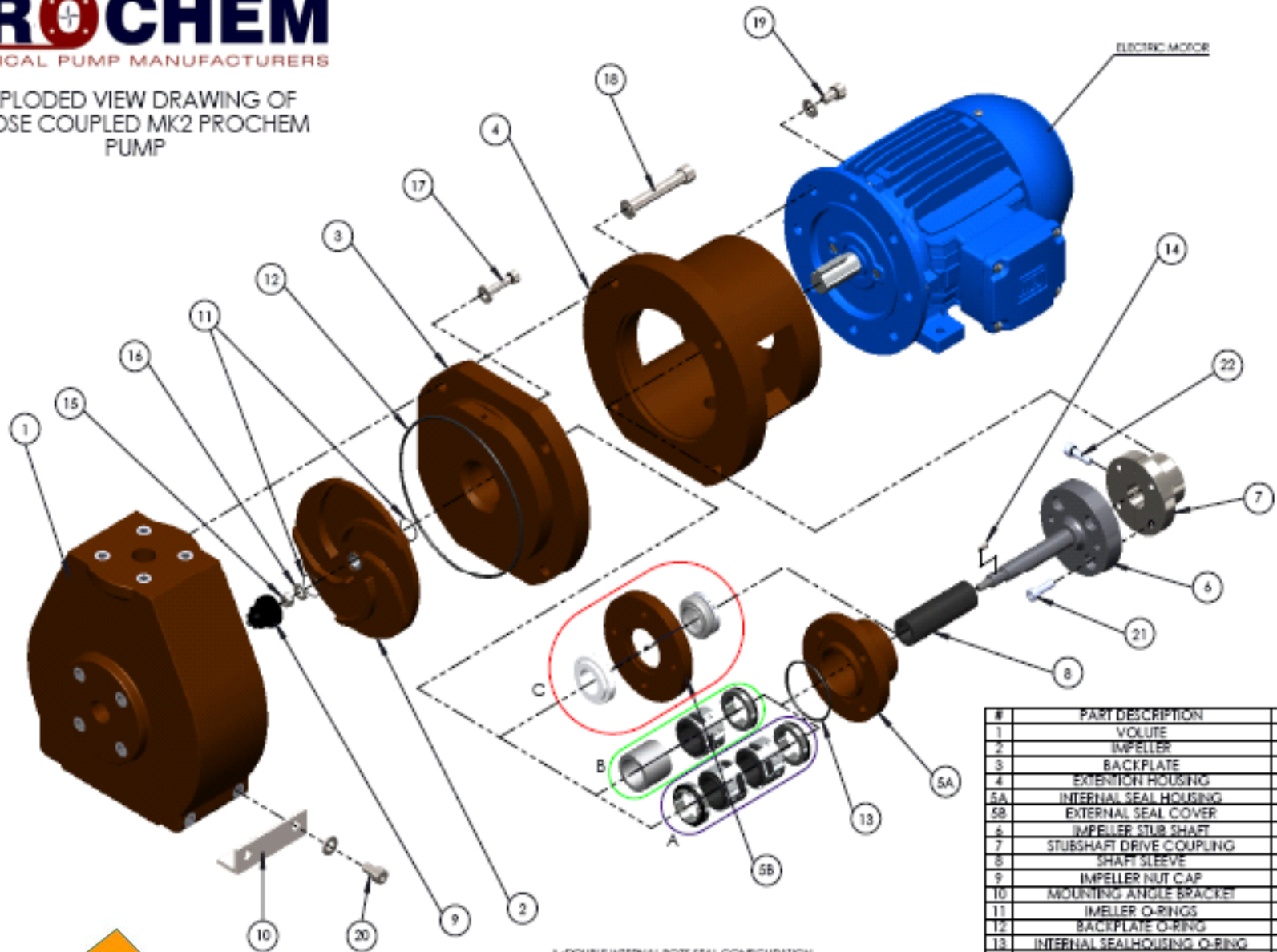


EXPLODED VIEW DRAWING OF
CLOSE COUPLED MK2 PROCHEM
PUMP



A: DOUBLE INTERNAL BOYS SEAL CONFIGURATION
B: SINGLE INTERNAL BOYS SEAL CONFIG. (WITH SPACER)
C: SINGLE EXTERNAL TOUR SEAL

#	PART DESCRIPTION	MATERIAL	QTY
1	VOLUTE	EPR	1
2	IMPELLER	EPR	1
3	BACKPLATE	EPR	1
4	EXTENSION HOUSING	EPR	1
5A	INTERNAL SEAL HOUSING	EPR	1
5B	EXTERNAL SEAL COVER	EPR	1
6	IMPELLER STUB SHAFT	S/S	1
7	STUBSHAFT DRIVE COUPLING	S/S	1
8	SHAFT SLEEVE	P7F	1
9	IMPELLER NUT CAP	EPR	1
10	MOUNTING ANGLE BRACKET	S/S	2
11	IMPELLER O-RINGS	VITON	2
12	BACKPLATE O-RING	VITON	1
13	INTERNAL SEAL HOUSING O-RING	VITON	1
14	IMPELLER KEY	KEY-STEEL	1
15	IMPELLER LOCKNUT	S/S	1
16	IMPELLER WASHER	S/S	1
17	SEAL HOUSING CAP SCREW	S/S	4
18	VOLUTE CAP SCREW	S/S	4-8
19	EXT. HOUSING CAP SCREW	S/S	4
20	ANGLE BRACKET CAP SCREW	S/S	4
21	STUBSHAFT CAP SCREW	S/S	4
22	STUB DRIVE CAP SCREW	S/S	1-2