

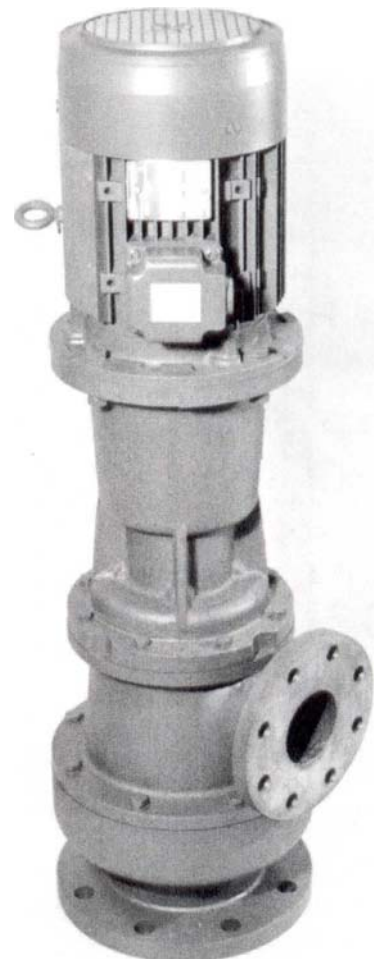


HARE CONDITIONERS

For Consistent Reliable Sewage Solids Disintegration

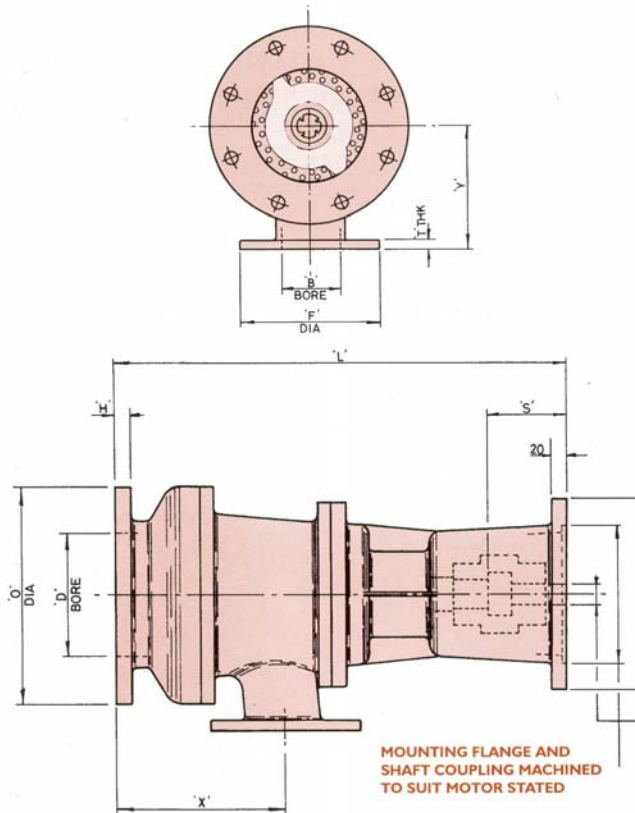
- H**igh Throughput with Consistent Particle Size
- A** Simple Cost Effective Upgrade of Existing Systems
- R**eliability with Raw Sewage
- E**fficient with Low Kilowatts

You can now fit a more efficient, modern Hare Conditioner to your existing pumps without the downtime and expense of a complete new system



	Series 201	Series 301
M3/hr	45	30 – 80
Kw	1.50	3.00
R.P.M.	960	460

Dimensions



CONDITIONER	OUTLET						INLET				S	L	Motor
	B	F	T	Drill Spec	X	Y	D	O	H	Drill Spec			Mounting
	Bore	Dia	Thk				Bore	Dia.	Thk				
201	80	200	20	BS 4504-16/11	280	180	150	285	24	BS 4504-16/11	107	655	D112
301	80	200	20	BS 4504-16/11	425	235	200	340	30	BS 4504-16/11	107	830	D112
301	100	220	16	BS 4504-16/11	430	235	250	405	30	BS 4504-16/11	115	840	D132

Distributors

Project Pumps Pty Ltd.

Unit 11/ 1 Adept Lane,

BANKSTOWN. N.S.W. 2200

Ph: 02 9792 6684 Fax: 02 9792 6685

Email: info@projectpumps.com

Please visit our Website www.projectpumps.com

